

*TWO-STAGE, VARIABLE-SPEED*

*ECM GAS FURNACE*

*UP TO 96% AFUE*

*HEATING INPUT: 40,000–120,000 BTU/H*



### ■ Contents

Nomenclature.....	2
Accessories .....	2
Product Specifications.....	3
Dimensions .....	4
Airflow Specifications .....	5
Wiring Diagram.....	8



### ■ Standard Features

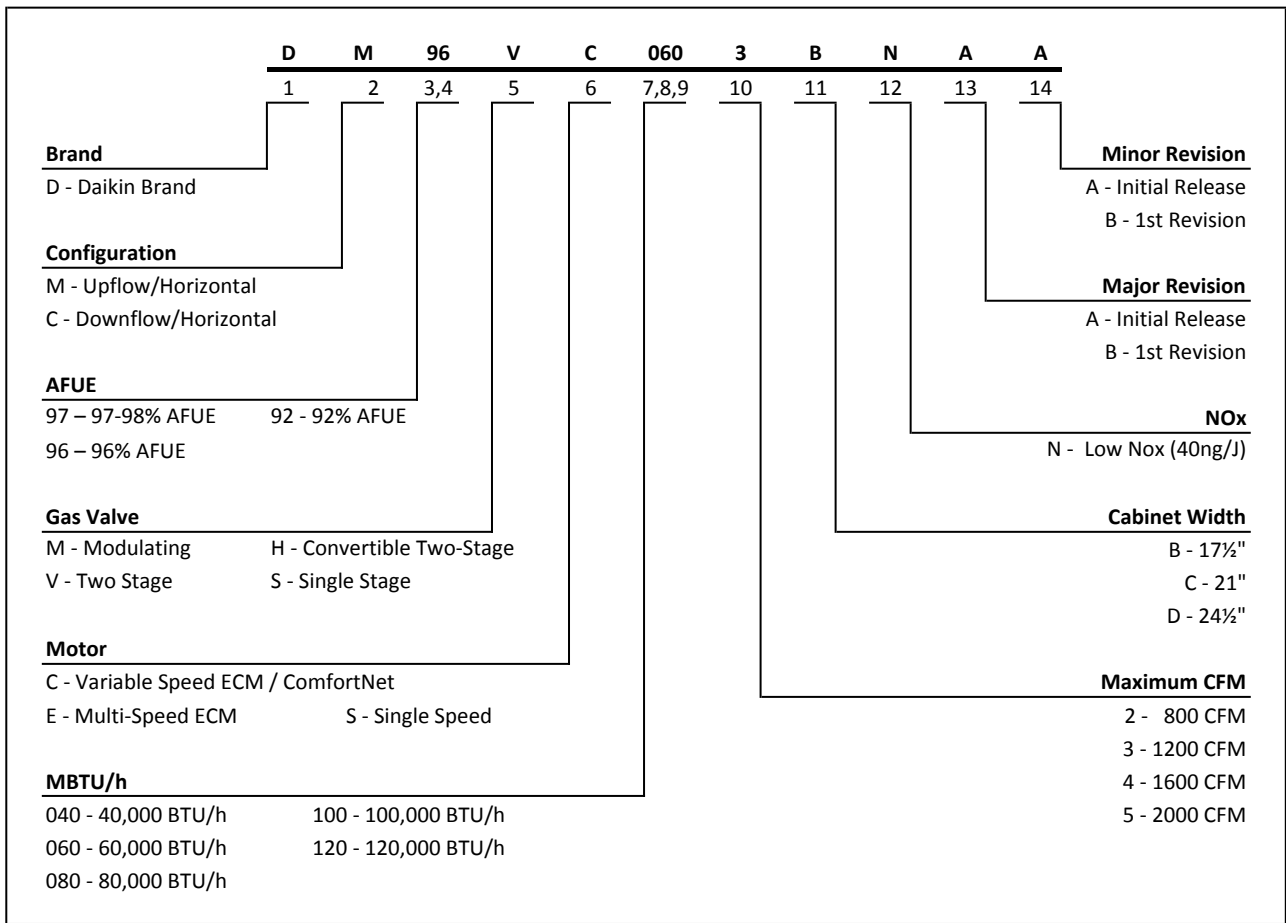
- ComfortNet™ Communicating System compatible
- Heavy-duty stainless-steel tubular heat exchanger
- Stainless-steel secondary heat exchanger
- Two-stage gas valve provides quiet, economical heating
- Durable Silicon Nitride igniter
- Quiet two-speed induced draft blower
- Utilizes ComfortNet™ communicating, two-stage or single-stage thermostats
- Self-diagnostic control board with constant memory fault code history output to a dual 7-segment display
- Color-coded low-voltage terminals with provisions for electronic air cleaner and humidifier
- Efficient and quiet variable-speed airflow system gently ramps up or down according to heating or cooling demand
- Multiple continuous fan speed options offer quiet air circulation
- Auto-Comfort and enhanced dehumidification modes available
- All models comply with California 40 ng/J Low NOx emissions standard
- AHRI Certified; ETL Listed

### ■ Cabinet Features

- Designed for multi-position installation — upflow, horizontal left or right
- Certified for direct vent (2-pipe) or non-direct vent (1-pipe)
- Easy-to-install top venting with optional side venting
- Convenient left or right connection for gas and electrical service
- Cabinet air leakage (QLeak) ≤ 2%
- Heavy-gauge steel cabinet with durable finish
- Fully insulated heat exchanger and blower section
- Airtight solid bottom or side return with easy-cut tabs for effortless removal in bottom air-inlet applications



\* Complete warranty details available from your local dealer or at [www.daikincomfort.com](http://www.daikincomfort.com). To receive the Lifetime Heat Exchanger Limited Warranty (good for as long as you own your home), the 12-Year Unit Replacement Limited Warranty and the 12-Year Parts Limited Warranty, online registration must be completed within 60 days of installation. Additional requirements for annual maintenance are required for the Unit Replacement Limited Warranty. Online registration and some of the additional requirements are not required in California or Quebec.



ACCESSORIES

MODEL	DESCRIPTION	DM96VC 0403BNA	DM96VC 0603BNA	DM96VC 0803BNA	DM96VC 0804CNA	DM96VC 1005CNA	DM96VC 1205DNA
CTK04	ComfortNet-Compatible Control						
CVENT-2	Concentric Vent Kit (2")	√	√	√	√	√	√
CVENT-3	Concentric Vent Kit (3")	√	√	√	√	√	√
CFSB17	Downflow Sub-Base 17.5"	---	---	---	---	---	---
CFSB21	Downflow Sub-Base 21"	---	---	---	---	---	---
CFSB24	Downflow Sub-Base 24"	---	---	---	---	---	---
RF000142	Drain Kit -Horizontal Left Vertical Flue	√	√	√	√	√	√
EFRO2	External Filter Rack with 16"x25" Permanent Filter	√	√	√	√	---	---
0170K00000S	Flush Mount Vent Kit - 3" or 2"	√	√	√	√	√	√
0170K00001S	Flush Mount Vent Kit - 2"	√	√	√	√	√	√
AFE18-60A	Fossil Fuel (Dual Fuel) Kit	√	√	√	√	√	√
HASFK	High-Altitude Natural Gas Kit	HASFK-1	HASFK-1	HASFK-2	HASFK-2	HASFK-3	HASFK-2
HASFK	High-Altitude LP Gas Kit	HASFK-1	HASFK-1	HASFK-1	HASFK-2	HASFK-2	HASFK-2
LPLP03	Low LP Gas Pressure Switch	√	√	√	√	√	√
LPM-08	LP Conversion Kits	√	√	√	√	√	√

- NOTES**
- √ Indicates available for this model
  - <sup>1</sup> Indicates 7,001' to 9,000' altitude
  - <sup>2</sup> Indicates 9,001' to 11,000' altitude
  - <sup>3</sup> Indicates 7,001' to 11,000' altitude
  - All installations above 7,000' require a pressure switch change.
  - For installation in Canada, gas furnaces are certified only to 4,500'.

	DM96VC 0403BNA	DM96VC 0603BNA	DM96VC 0803BNA	DM96VC 0804CNA	DM96VC 1005CNA	DM96VC 1205DNA
<b>HEATING DATA</b>						
High Fire Input <sup>1</sup>	40,000	60,000	80,000	80,000	100,000	120,000
High Fire Output <sup>1</sup>	38,400	57,600	76,800	76,800	96,000	115,200
Low-Fire Steady-State Input <sup>1</sup>	28,000	42,000	56,000	56,000	70,000	84,000
Low-Fire Steady-State Output <sup>1</sup>	26,880	40,320	53,760	53,760	67,200	80,640
AFUE <sup>2</sup>	96	96	96	96	96	96
Temperature Rise Range (°F)	20 - 50	20 - 50	35 - 65	25 - 55	35 - 65	35 - 65
Vent Diameter <sup>3</sup>	2" - 3"	2" - 3"	2" - 3"	2" - 3"	2" - 3"	2" - 3"
<b>NO. OF BURNERS</b>	2	3	4	4	5	6
<b>CIRCULATOR BLOWER</b>						
Available AC @ 0.5" ESP	1.5 - 3	1.5 - 3	1.5 - 3	1.5 - 4	2 - 5	2 - 5
Size (D x W)	10" x 8"	11" x 8"	11" x 8"	11" x 10"	11" x 10"	11" x 11"
Horsepower @ 1075 RPM	½	½	½	¾	1	1
Speed	VS ECM	VS ECM	VS ECM	VS ECM	VS ECM	VS ECM
<b>ELECTRICAL DATA</b>						
Min. Circuit Ampacity <sup>4</sup>	7.8	7.8	7.8	10.6	14.4	14.4
Max. Overcurrent Device (amps) <sup>5</sup>	15	15	15	15	20	20
<b>SHIPPING WEIGHT (LBS)</b>	114	117	120	141	143	156

<sup>1</sup> Natural Gas BTU/h

<sup>2</sup> DOE AFUE based upon Isolated Combustion System (ICS)

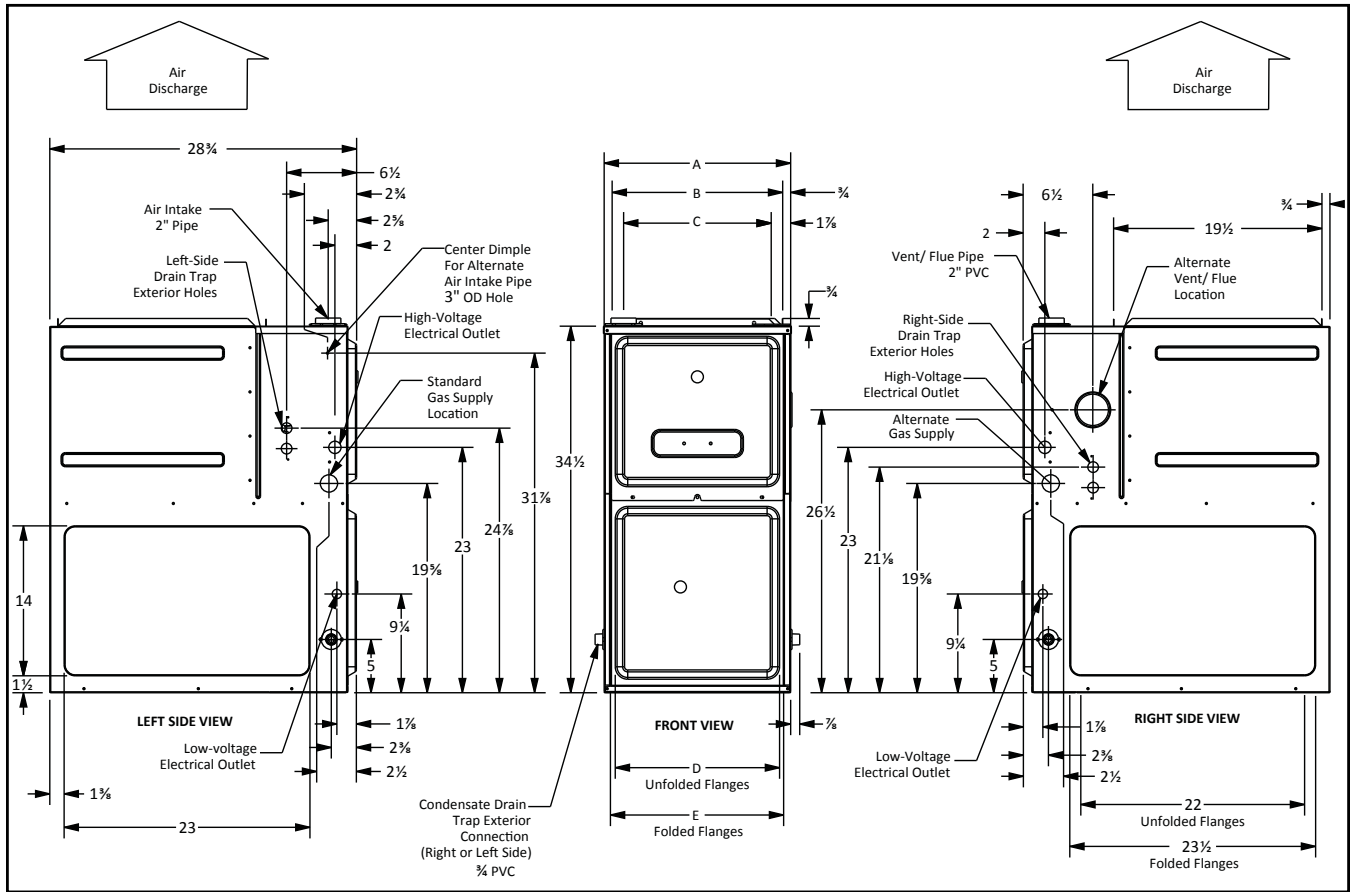
<sup>3</sup> Installer must supply one or two PVC pipes: one for combustion air (optional) and one for the flue outlet (required). Vent pipe must be either 2" or 3" in diameter, depending upon furnace input, number of elbows, length of run and installation (1 or 2 pipes). The optional Combustion Air Pipe is dependent on installation/code requirements and must be 2" or 3" diameter PVC.

<sup>4</sup> Minimum Circuit Ampacity = (1.25 x Circulator Blower Amps) + ID Blower amps. Wire size should be determined in accordance with National Electrical Codes. Extensive wire runs will require larger wire sizes.

<sup>5</sup> Maximum Overcurrent Protection Device refers to maximum recommended fuse or circuit breaker size. May use fuses or HACR-type circuit breakers of the same size as noted.

**NOTES**

- All furnaces are manufactured for use on 115 VAC, 60 Hz, single-phase electrical supply.
- Gas Service Connection ½" FPT
- Important: Size fuses and wires properly and make electrical connections in accordance with the National Electrical Code and/or all existing local codes.
- For bottom return: Failure to unfold flanges may reduce airflow by up to 18%. This could result in performance and noise issues.
- For servicing or cleaning, a 24" front clearance is required. Unit connections (electrical, flue and drain) may necessitate greater clearances than the minimum clearances listed above. In all cases, accessibility clearance must take precedence over clearances from the enclosure where accessibility clearances are greater.



MODEL	AIR DISCHARGE			AIR RETURN	
	A	B	C	D	E
DM96VC0403BNA	17 1/2"	16"	13 7/8"	12 1/8"	13 5/8"
DM96VC0603BNA	17 1/2"	16"	13 7/8"	12 1/8"	13 5/8"
DM96VC0803BNA	17 1/2"	16"	13 7/8"	12 1/8"	13 5/8"
DM96VC0804CNA	21"	19 1/2"	17 7/8"	16"	17 1/2"
DM96VC1005CNA	21"	19 1/2"	17 7/8"	16"	17 1/2"
DM96VC1205DNA	24 1/2"	23"	20 7/8"	19 3/8"	20 7/8"

**MINIMUM CLEARANCES TO COMBUSTIBLE MATERIALS**

POSITION	SIDES	REAR	FRONT	BOTTOM	FLUE	TOP
Upflow	0"	0"	3"	C	0"	1"
Horizontal	6"	0"	3"	C	0"	6"

C = If placed on combustible floor, the floor MUST be wood ONLY.

**DM96VC0403BNA**  
**COOLING SPEED**  
 (@ .1" - .8" w.c. ESP)

TAP	ADJUST	HIGH-STAGE CFM	LOW-STAGE CFM
A	Minus 10%	536	363
	Minus 5%	566	383
	Normal	596	403
	Plus 5%	626	423
	Plus 10%	656	443
B	Minus 10%	716	474
	Minus 5%	756	501
	Normal	796	527
	Plus 5%	836	553
	Plus 10%	876	580
C	Minus 10%	877	608
	Minus 5%	925	641
	Normal	974	675
	Plus 5%	1,023	709
	Plus 10%	1,071	743
D	Minus 10%	1,073	723
	Minus 5%	1,132	763
	Normal	1,192	803
	Plus 5%	1,252	843
	Plus 10%	1,311	883

**DM96VC0403BNA**  
**HEATING SPEED**  
 (@ .1" - .5" w.c. ESP; RISE RANGE: 20 - 50°F)

TAP	ADJUST	HIGH-STAGE CFM	LOW-STAGE CFM	RISE (°F)
A	Minus 10%	891	658	40
	Minus 5%	941	694	38
	Normal	990	731	36
	Plus 5%	1040	768	34
	Plus 10%	1089	804	33
B	Minus 10%	977	720	36
	Minus 5%	1031	760	34
	Normal	1085	800	33
	Plus 5%	1139	840	31
	Plus 10%	1194	880	30
C	Minus 10%	1067	765	33
	Minus 5%	1126	808	32
	Normal	1185	850	30
	Plus 5%	1244	893	29
	Plus 10%	1304	935	27
D	Minus 10%	1151	820	31
	Minus 5%	1215	865	29
	Normal	1279	911	28
	Plus 5%	1343	957	26
	Plus 10%	1407	1002	25

**DM96VC0603BNA**  
**COOLING SPEED**  
 (@ .1" - .8" w.c. ESP)

TAP	ADJUST	HIGH-STAGE CFM	LOW-STAGE CFM
A	Minus 10%	539	358
	Minus 5%	569	378
	Normal	599	398
	Plus 5%	629	418
	Plus 10%	659	438
B	Minus 10%	735	501
	Minus 5%	776	529
	Normal	817	557
	Plus 5%	858	585
	Plus 10%	899	613
C	Minus 10%	906	626
	Minus 5%	957	661
	Normal	1,007	696
	Plus 5%	1,057	731
	Plus 10%	1,108	766
D	Minus 10%	1,091	729
	Minus 5%	1,151	770
	Normal	1,212	810
	Plus 5%	1,273	851
	Plus 10%	1,333	891

**DM96VC0603BNA**  
**HEATING SPEED**  
 (@ .1" - .5" w.c. ESP; RISE RANGE: 20 - 50°F)

TAP	ADJUST	HIGH-STAGE CFM	LOW-STAGE CFM	RISE (°F)
A	Minus 10%	858	600	na/
	Minus 5%	905	634	n/a
	Normal	953	667	n/a
	Plus 5%	1,001	700	n/a
	Plus 10%	1,048	734	n/a
B	Minus 10%	953	666	n/a
	Minus 5%	1,006	703	n/a
	Normal	1,059	740	50
	Plus 5%	1,112	777	48
	Plus 10%	1,165	814	46
C	Minus 10%	1,042	727	n/a
	Minus 5%	1,100	768	48
	Normal	1,158	808	46
	Plus 5%	1,216	848	44
	Plus 10%	1,274	889	42
D	Minus 10%	1,134	793	47
	Minus 5%	1,197	837	45
	Normal	1,260	881	42
	Plus 5%	1,323	925	40
	Plus 10%	1,386	969	38

**NOTES**

- All furnaces ship as high speed for cooling. Installer must adjust blower speed as needed.
- For most jobs, about 400 CFM per ton when cooling is desirable
- INSTALLATION IS TO BE ADJUSTED TO OBTAIN TEMPERATURE RISE WITHIN THE RANGE SPECIFIED ON THE RATING PLATE.

**MINIMUM FILTER SIZES**

	DM96VC 0403BNA	DM96VC 0603BNA	DM96VC 0803BNA	DM96VC 0804CNA	DM96VC 1005CNA	DM96VC 1205DNA
Filter Size (in <sup>2</sup> ) (Qty)	(1) 16 x 25 (side or bottom)				(1) 20 x 25 (bottom) or (2) 16 x 25 (side)	

Note: Other size filters of equal or greater dimensions may be used. Filters may also be centrally located.

**DM96VC0803BNA**  
**COOLING SPEED**  
 (@ .1" - .8" w.c. ESP)

TAP	ADJUST	HIGH-STAGE CFM	LOW-STAGE CFM
A	Minus 10%	566	363
	Minus 5%	598	383
	Normal	629	403
	Plus 5%	660	423
	Plus 10%	692	443
B	Minus 10%	725	486
	Minus 5%	766	513
	Normal	806	540
	Plus 5%	846	567
	Plus 10%	887	594
C	Minus 10%	921	635
	Minus 5%	972	670
	Normal	1,023	705
	Plus 5%	1,074	740
	Plus 10%	1,125	776
D	Minus 10%	1,107	737
	Minus 5%	1,169	778
	Normal	1,230	819
	Plus 5%	1,292	860
	Plus 10%	1,353	901

**DM96VC0803BNA**  
**HEATING SPEED**  
 (@ .1" - .5" w.c. ESP; RISE RANGE: 35 - 65°F)

TAP	ADJUST	HIGH-STAGE CFM	LOW-STAGE CFM	RISE (°F)
A	Minus 10%	1,082	770	n/a
	Minus 5%	1,142	812	62
	Normal	1,202	855	59
	Plus 5%	1,262	898	56
	Plus 10%	1,322	941	54
B	Minus 10%	1,184	831	60
	Minus 5%	1,250	877	57
	Normal	1,316	923	54
	Plus 5%	1,382	969	51
	Plus 10%	1,448	1,015	49
C	Minus 10%	1,250	930	57
	Minus 5%	1,320	981	54
	Normal	1,389	1,033	51
	Plus 5%	1,458	1,085	49
	Plus 10%	1,528	1,136	47
D	Minus 10%	1,256	957	57
	Minus 5%	1,326	1,010	54
	Normal	1,396	1,063	51
	Plus 5%	1,466	1,116	49
	Plus 10%	1,536	1,169	46

**DM96VC0804CNA**  
**COOLING SPEED**  
 (@ .1" - .8" w.c. ESP)

TAP	ADJUST	HIGH-STAGE CFM	LOW-STAGE CFM
A	Minus 10%	710	462
	Minus 5%	750	487
	Normal	789	513
	Plus 5%	828	539
	Plus 10%	868	564
B	Minus 10%	870	594
	Minus 5%	919	627
	Normal	967	660
	Plus 5%	1,015	693
	Plus 10%	1,064	726
C	Minus 10%	1,064	712
	Minus 5%	1,123	751
	Normal	1,182	791
	Plus 5%	1,241	831
	Plus 10%	1,300	870
D	Minus 10%	1,238	822
	Minus 5%	1,306	867
	Normal	1,375	913
	Plus 5%	1,444	959
	Plus 10%	1,513	1,004

**DM96VC0804CNA**  
**HEATING SPEED**  
 (@ .1" - .5" w.c. ESP; RISE RANGE: 25 - 55°F)

TAP	ADJUST	HIGH-STAGE CFM	LOW-STAGE CFM	RISE (°F)
A	Minus 10%	1,082	780	na/
	Minus 5%	1,142	824	n/a
	Normal	1,202	867	n/a
	Plus 5%	1,262	910	n/a
	Plus 10%	1,322	954	54
B	Minus 10%	1,184	845	n/a
	Minus 5%	1,250	892	n/a
	Normal	1,316	939	54
	Plus 5%	1,382	986	51
	Plus 10%	1,448	1,033	49
C	Minus 10%	1,250	914	n/a
	Minus 5%	1,320	965	54
	Normal	1,389	1,016	51
	Plus 5%	1,458	1,067	49
	Plus 10%	1,528	1,118	47
D	Minus 10%	1,256	969	n/a
	Minus 5%	1,326	1,023	54
	Normal	1,396	1,077	51
	Plus 5%	1,466	1,131	49
	Plus 10%	1,536	1,185	46

**NOTES**

- All furnaces ship as high speed for cooling. Installer must adjust blower speed as needed.
- For most jobs, about 400 CFM per ton when cooling is desirable.
- INSTALLATION IS TO BE ADJUSTED TO OBTAIN TEMPERATURE RISE WITHIN THE RANGE SPECIFIED ON THE RATING PLATE.

**DM96VC1005CNA**  
**COOLING SPEED**  
 (@ .1" - .8" w.c. ESP)

TAP	ADJUST	HIGH-STAGE CFM	LOW-STAGE CFM
<b>A</b>	Minus 10%	738	508
	Minus 5%	779	536
	Normal	820	564
	Plus 5%	861	592
	Plus 10%	902	620
<b>B</b>	Minus 10%	1,020	706
	Minus 5%	1,076	745
	Normal	1,133	784
	Plus 5%	1,190	823
	Plus 10%	1,246	862
<b>C</b>	Minus 10%	1,318	884
	Minus 5%	1,391	933
	Normal	1,464	982
	Plus 5%	1,537	1,031
	Plus 10%	1,610	1,080
<b>D</b>	Minus 10%	1,562	1,133
	Minus 5%	1,649	1,196
	Normal	1,736	1,259
	Plus 5%	1,823	1,322
	Plus 10%	1,910	1,385

**DM96VC1005CNA**  
**HEATING SPEED**  
 (@ .1" - .5" w.c. ESP; RISE RANGE: 35 - 65°F)

TAP	ADJUST	HIGH-STAGE CFM	LOW-STAGE CFM	RISE (°F)
<b>A</b>	Minus 10%	1,636	1,130	54
	Minus 5%	1,727	1,193	51
	Normal	1,818	1,256	49
	Plus 5%	1,909	1,319	47
	Plus 10%	2,000	1,382	44
<b>B</b>	Minus 10%	1,683	1,163	53
	Minus 5%	1,777	1,227	50
	Normal	1,870	1,292	48
	Plus 5%	1,964	1,357	45
	Plus 10%	2,057	1,421	43
<b>C</b>	Minus 10%	1,719	1,184	52
	Minus 5%	1,815	1,250	49
	Normal	1,910	1,316	47
	Plus 5%	2,006	1,382	44
	Plus 10%	2,101	1,448	42
<b>D</b>	Minus 10%	1,761	1,222	50
	Minus 5%	1,859	1,290	48
	Normal	1,957	1,358	45
	Plus 5%	2,055	1,426	43
	Plus 10%	2,153	1,494	41

**DM96VC1205DNA**  
**COOLING SPEED**  
 (@ .1" - .8" w.c. ESP)

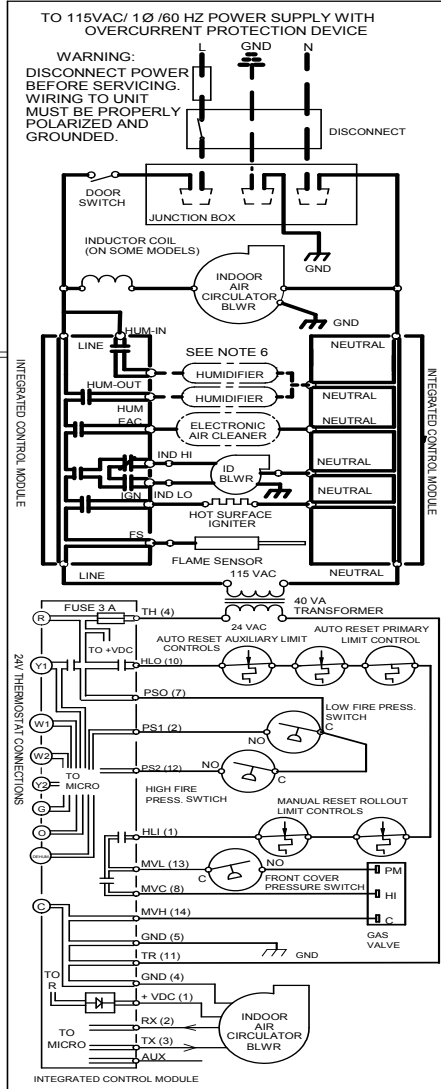
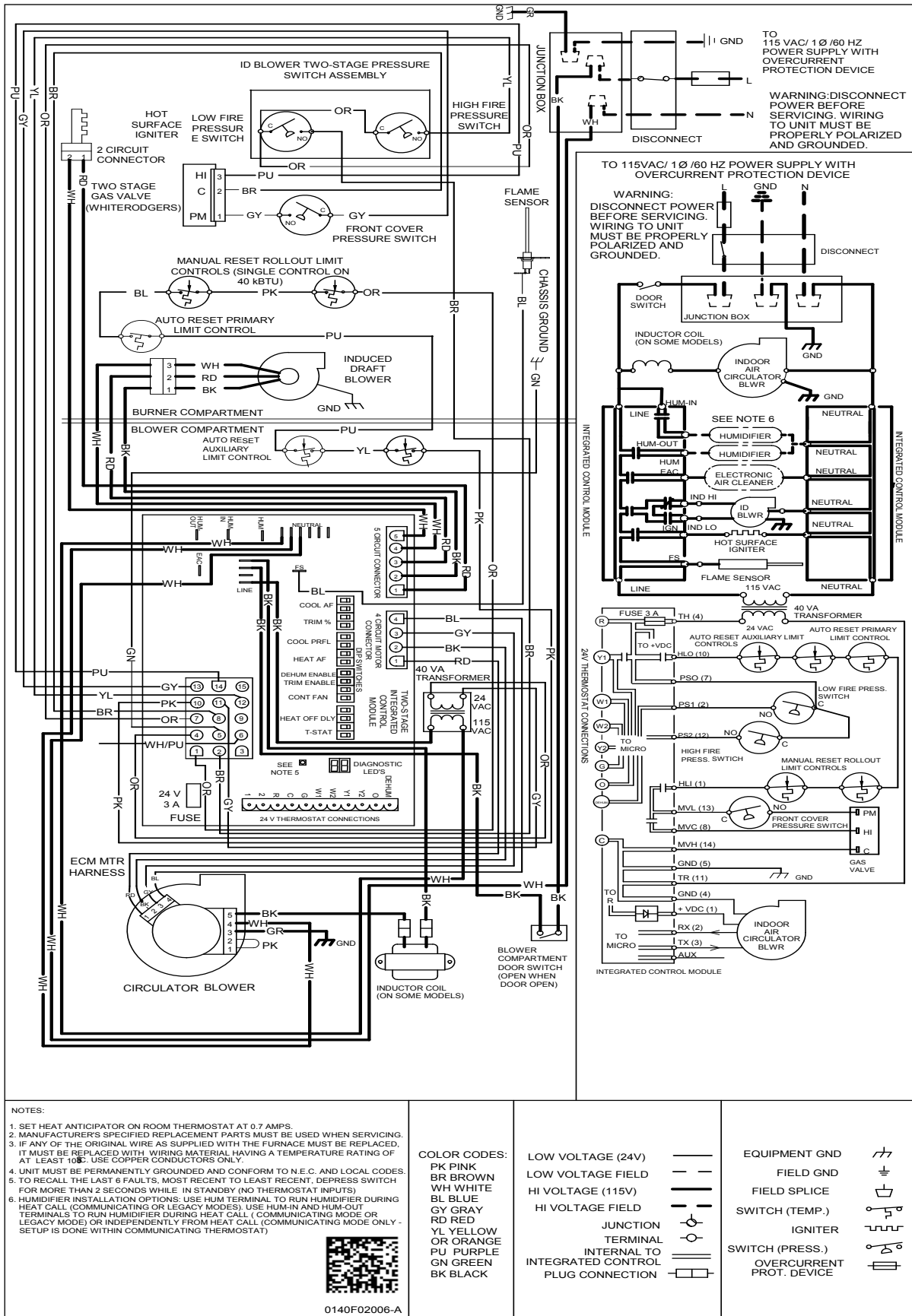
TAP	ADJUST	HIGH-STAGE CFM	LOW-STAGE CFM
<b>A</b>	Minus 10%	780	492
	Minus 5%	824	520
	Normal	867	547
	Plus 5%	910	574
	Plus 10%	954	602
<b>B</b>	Minus 10%	1,044	748
	Minus 5%	1,102	789
	Normal	1,160	831
	Plus 5%	1,218	873
	Plus 10%	1,276	914
<b>C</b>	Minus 10%	1,320	918
	Minus 5%	1,394	969
	Normal	1,467	1,020
	Plus 5%	1,540	1,071
	Plus 10%	1,614	1,122
<b>D</b>	Minus 10%	1,719	1,150
	Minus 5%	1,815	1,214
	Normal	1,910	1,278
	Plus 5%	2,006	1,342
	Plus 10%	2,101	1,406

**DM96VC1205DNA**  
**HEATING SPEED**  
 (@ .1" - .5" w.c. ESP; RISE RANGE: 35 - 65°F)

TAP	ADJUST	HIGH-STAGE CFM	LOW-STAGE CFM	RISE (°F)
<b>A</b>	Minus 10%	1,702	1,196	63
	Minus 5%	1,796	1,263	59
	Normal	1,891	1,329	56
	Plus 5%	1,986	1,395	54
	Plus 10%	2,080	1,462	51
<b>B</b>	Minus 10%	1,746	1,226	61
	Minus 5%	1,843	1,294	58
	Normal	1,940	1,362	55
	Plus 5%	2,037	1,430	52
	Plus 10%	2,134	1,498	50
<b>C</b>	Minus 10%	1,771	1,251	60
	Minus 5%	1,870	1,321	57
	Normal	1,968	1,390	54
	Plus 5%	2,066	1,460	52
	Plus 10%	2,165	1,529	49
<b>D</b>	Minus 10%	1,825	1,296	58
	Minus 5%	1,927	1,368	55
	Normal	2,028	1,440	53
	Plus 5%	2,129	1,512	50
	Plus 10%	2,231	1,584	48

**NOTES**

- All furnaces ship as high speed for cooling. Installer must adjust blower speed as needed.
- For most jobs, about 400 CFM per ton when cooling is desirable.
- INSTALLATION IS TO BE ADJUSTED TO OBTAIN TEMPERATURE RISE WITHIN THE RANGE SPECIFIED ON THE RATING PLATE.



**WARNING**

High Voltage: Disconnect all power before servicing or installing this unit. Multiple power sources may be present. Failure to do so may cause property damage, personal injury, or death.

Wiring is subject to change. Always refer to the wiring diagram on the unit for the most up-to-date wiring.

Our continuing commitment to quality products may mean a change in specifications without notice.

© 2017 **DAIKIN NORTH AMERICA LLC** • Houston, Texas